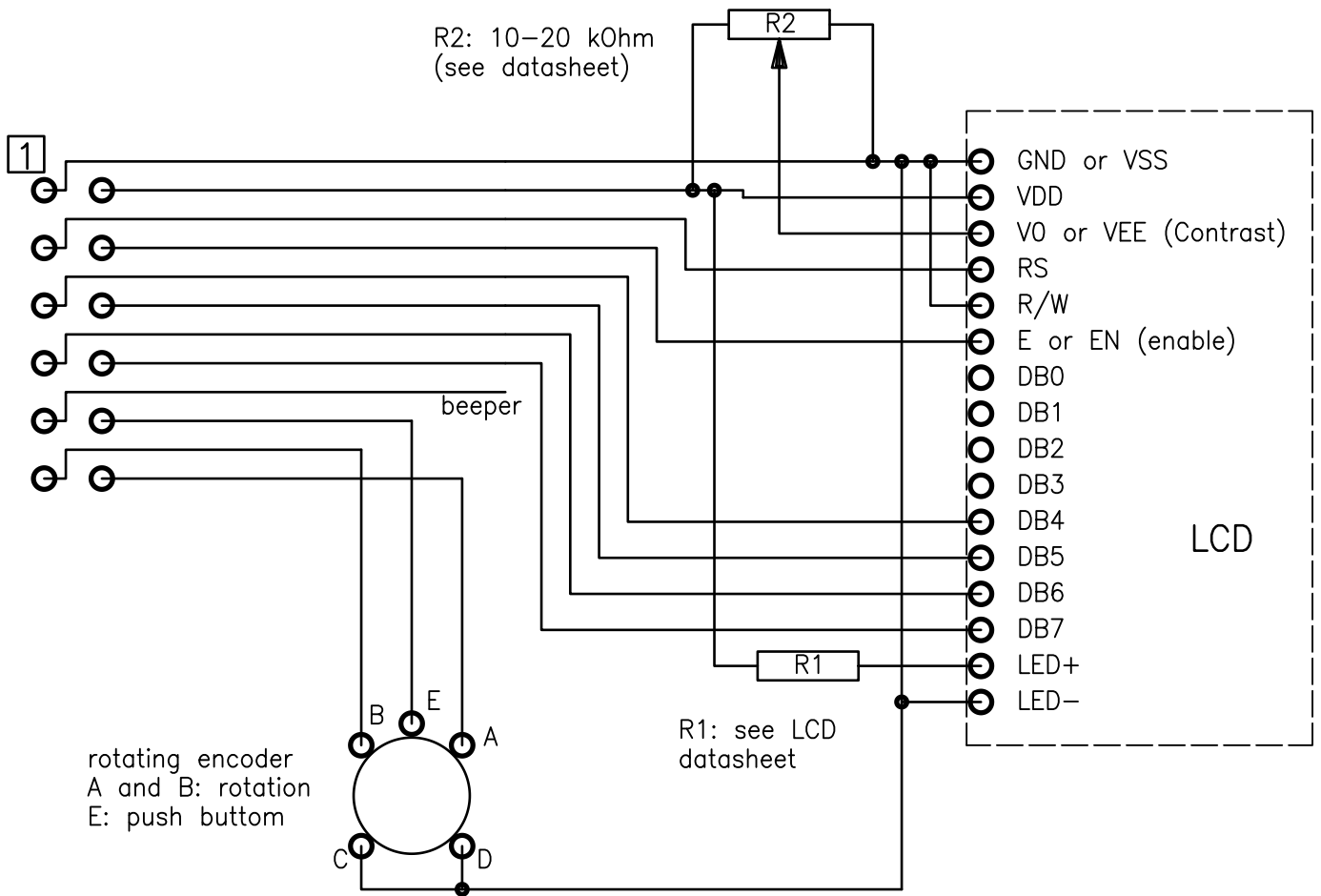


Connecting LCD and rotating encoder to RADDs:



Connecting SD-Card to RADDs:

